

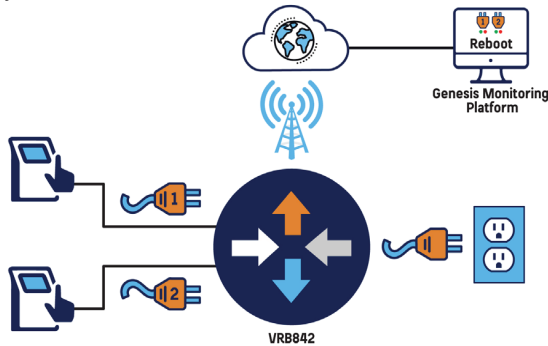
VRB842

Combines 4G LTE-A with Remote Power Reboot



4G LTE-A Router with Remote Reboot

The Digi Ventus VRB842 provides secure 4G LTE-A connectivity with remote power reboot functionality in one device. The VRB842's ability to remotely reboot two separate devices independently make it an ideal solution for IoT / M2M connected devices in distributed or remote offices, stores, or branches where a power recycle can eliminate a service call.



The VRB842's reboot functionality is made possible by an embedded 4G LTE-A router, offering secure, reliable network connectivity. The reboot functionality is accessed via the Digi Ventus Genesis™ web-based monitoring platform, reboot any device in an entire network from a single portal. The VRB842 is shipped pre-configured for plug-and-play deployments to ensure quick and timely installs. No additional Internet connectivity is required, unlike other reboot devices, the VRB842 is a complete solution with LAN network support via 2 Ethernet ports.

Eliminating Need for Service Calls

Whether you are supporting thousands of POS stations, ticketing kiosks, ATMs or remote locations, the ability to remotely reboot

devices, that are prone to freezing up, with the VRB842 decreases lengthy downtime. The VRB842 increases productivity while reducing the need for service calls to remote locations to perform simple power reboots.

Key Features

- Remote power reboot for 2 devices
- 4G LTE-A WAN connectivity
- Ethernet connectivity
- Dual SIMs for network flexibility
- Supports VPN encrypted tunnels
- Genesis™ Intelligent Network Monitoring
- Custom alerts

Ideal For

- ATM/ITM
- Digital signs
- Kiosks
- Gaming and lottery terminals
- POS
- Smart safes
- Remote connected devices
 - Hubs, IP-cameras, media players, modems, PCs, switches, etc.



Technical Specifications

ETHERNET: 1x WAN RJ45, 1x LAN RJ45
SIM: 2x SIM Micro 3FF
CELLULAR: AT&T, T-Mobile, and Verizon
POWER SUPPLY: 125VAC, combined 10amps
POWER OUTLETS: 2x 90V-240V, max combined 10amps
LED: Power, Cellular Signal, LAN, and Outlets
DIMENSIONS: 4.50W x 4.00D x 2.10H inches
OPERATING TEMPERATURE: -40C to 45C
CERTIFICATIONS: FCC, PTCRB, and UL

Digi Ventus Managed Connectivity

Digi Ventus Managed Connectivity provides a fully managed solution for the VRB842. From end-to-end Digi Ventus Managed Connectivity solutions provides total network management and support. Digi Ventus engineers design and architect a fully integrated WAN network tailored to meet your specific business needs. Digi Ventus' supplier agnostic philosophy sources the internet service providers that are most appropriate for each location. While Digi Ventus project managers ensure deployments are seamless and project deadlines are met.

All networks are monitored 24x7x365 by the Digi Ventus Technical Support Center (TSC). The Digi Ventus TSC is there around the clock to answer any questions with our one-call resolution promise. The Digi Ventus TSC also handles all direct communications, escalations, and ticketing with internet service providers, allowing you to focus on your core business.

Cellular Features

- LTE Cat-4
- Fast dual SIM switching
- GPRS/EDGE Quad/Dual Band

Router Features

- Zero-touch deployments
- Power alerts
- Dual SIM with auto-failover
- V-Con™ Advanced Connection Management
- Magnetic mount
- Last gasp battery

Genesis™ Intelligent Network Monitoring

The ability to monitor network and device status is critical to uptime. Consistent, high-availability network service increases customer satisfaction and retention. Digi Ventus' centralized web-based monitoring platform, Genesis, offers users a variety of insightful analytics reporting capabilities, and real-time status updates.

- Web-based, secure monitoring platform
- Real-time network alerts
- Detailed views of all units
- Custom reporting, analytics, and custom alerts
- Centralized ticket management system
- Ability to integrate into existing network monitoring platforms